

# QCP-FRB-086-2

## SMP Female Right Angle

Features:  
\* Low VSWR

Applications:  
\* Wireless  
\* Radar  
\* Instruments  
\* Electronics



### Electrical

Frequency: DC~18GHz  
VSWR: 1.3 max.  
Impedance: 50Ω

### Mechanical

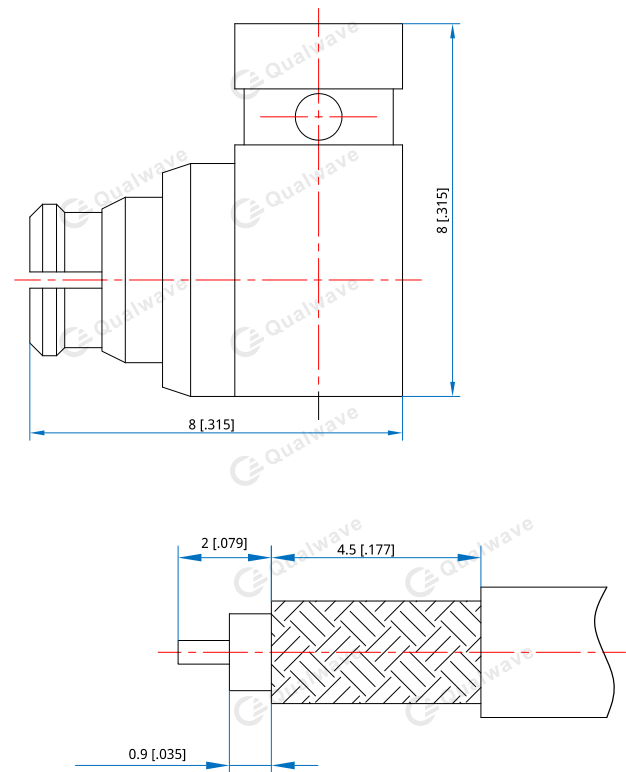
RF Connector: SMP Female Right Angle  
Mating Cable: QH280, QD086, QE086, RG316, RG316D  
Outer Conductor: Beryllium copper

### How To Order

**QCP-FRB-086-2**

Customization is available upon request.

### Outline Drawings



Unit: mm [in]  
Tolerance: ±0.2mm [±0.008in]