

# QCP-FB-047-1

## SMP Male

Features:  
\* Low VSWR

Applications:  
\* Wireless  
\* Radar  
\* Instruments  
\* Electronics

### Electrical

Frequency:	DC~40GHz
VSWR:	1.4 max.
Impedance of Dielectric:	5000MΩ min.
Voltage Withstand:	500V DC min.
Impedance:	50Ω

### Mechanical

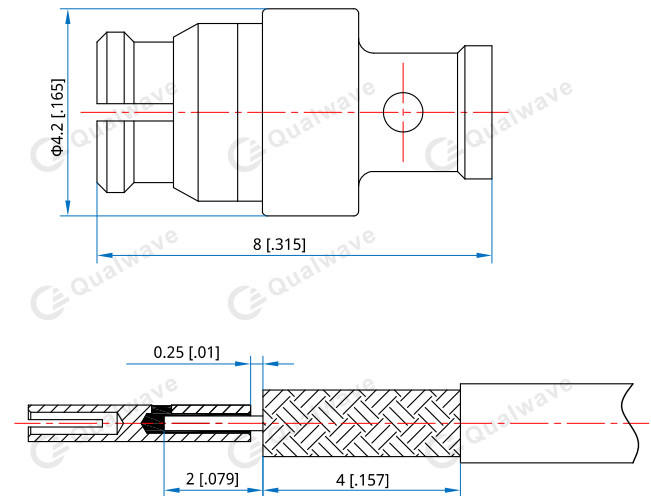
RF Connector:	SMP Male
Mating Cable:	QA150, QH160, QD047, QE047
Outer Conductor:	Beryllium copper

### How To Order

**QCP-FB-047-1**

Customization is available upon request.

### Outline Drawings



Unit: mm [in]

Tolerance: ±0.2mm [±0.008in]