

## QCN-MRCB-RG142-1

### N Male Right angle, Crimp

Features:  
\* Low VSWR

Applications:  
\* Wireless  
\* Radar  
\* Instruments  
\* Electronics

#### Electrical

Frequency:	DC-6GHz
VSWR:	1.25 max.
Impedance of Dielectric:	5000MΩ min.
Voltage Withstand:	1000V
Impedance:	50Ω

#### Mechanical

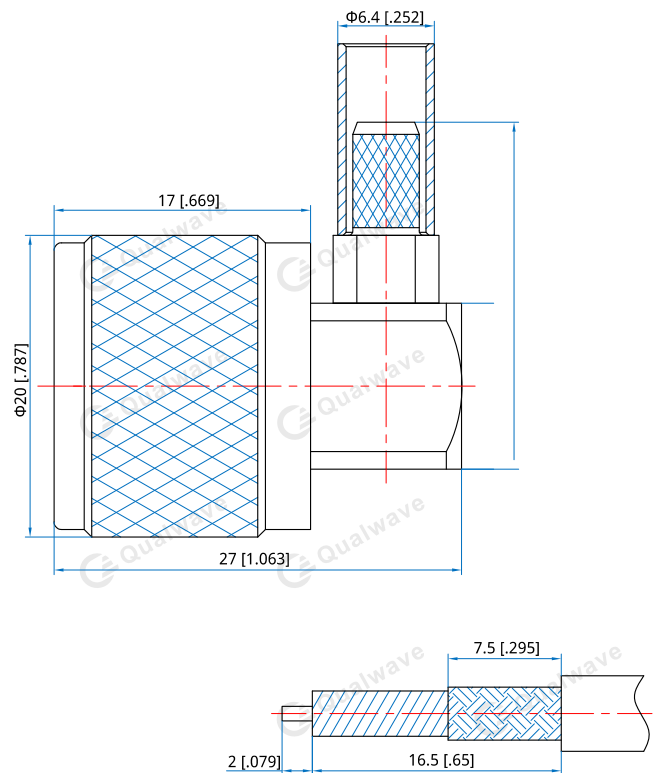
RF Connector:	N male right angle
Mating Cable:	RG142, RG58
Material:	Brass

#### How To Order

**QCS-MRCB-RG142-1**

Customization is available upon request.

#### Outline Drawings



Unit: mm [in]

Tolerance:  $\pm 0.2\text{mm}$  [ $\pm 0.008\text{in}$ ]