

QCN-MRB-086-1

N Male Right Angle

Features:
* Low VSWR

Applications:
* Wireless
* Radar
* Instruments
* Electronics

Electrical

Frequency:	DC~6GHz
VSWR:	1.3 max.
Impedance of Dielectric:	5000MΩ min.
Voltage Withstand:	1000V
Impedance:	50Ω

Mechanical

RF Connector:	N male right angle
Mating Cable:	QH280, QE086, QD086, RG316
Mating Life Cycle:	500 cycles
Outer Conductor:	Ternary alloy plated brass
Inner Conductor:	Gold plated brass
Jacket:	Ternary alloy plated brass

Environmental

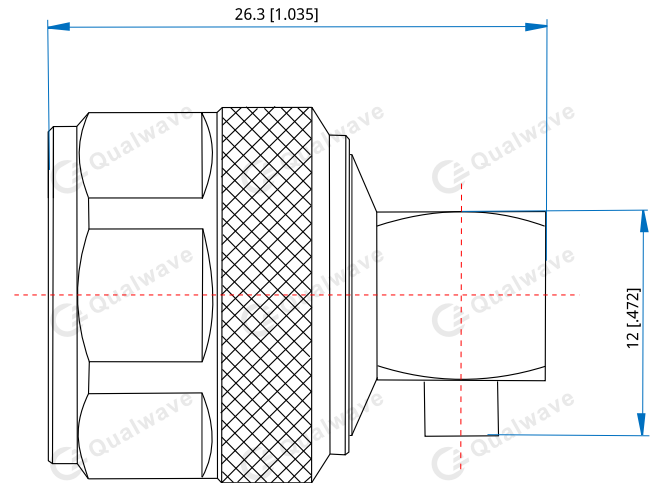
Temperature:	-55~+165°C
--------------	------------

How To Order

QCN-MRB-086-1

Customization is available upon request.

Outline Drawings



Unit: mm [in]

Tolerance: ±0.2mm [±0.008in]