

QCN-MG-A810-1

N Male

Features:
* Low VSWR

Applications:
* Wireless
* Radar
* Instruments
* Electronics

Electrical

Frequency:	DC ~ 18GHz
VSWR:	1.25 max.
Impedance of Dielectric:	5000MΩ min.
Voltage Withstand:	2000V DC min.
Impedance:	50Ω

Mechanical

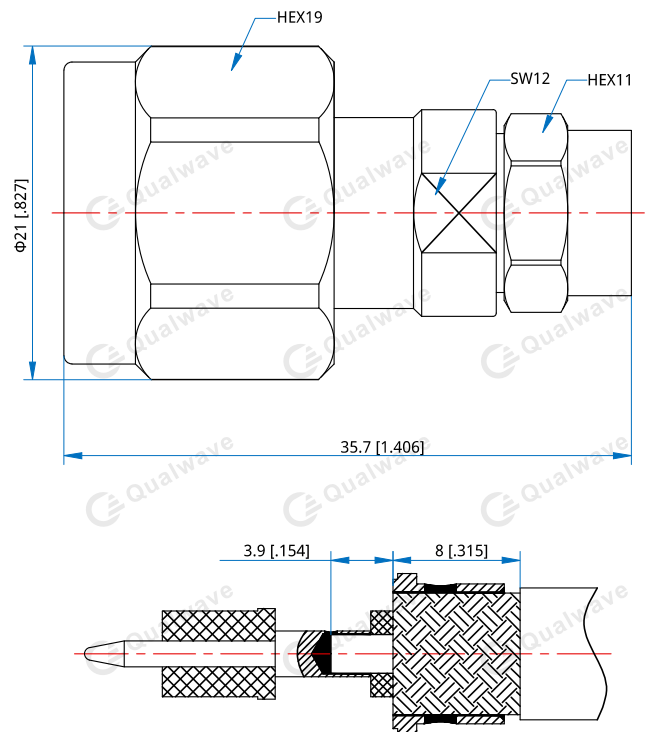
RF Connector:	N Male
Mating Cable:	QA760, QA810
Outer Conductor:	303F stainless steel

How To Order

QCN-MG-A810-1

Customization is available upon request.

Outline Drawings



Unit: mm [in]

Tolerance: ±0.2mm [±0.008in]