

QCN-MCB-R1000-1

N Male, Crimp

Features:
* Low VSWR

Applications:
* Wireless
* Radar
* Instruments
* Electronics

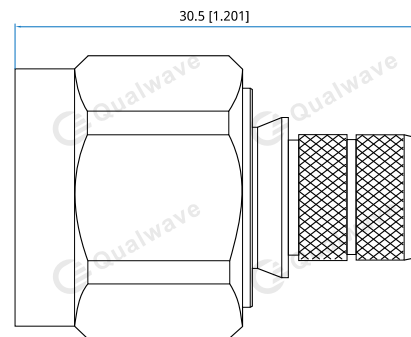
Electrical

Frequency: DC~6GHz
VSWR: 1.3 max.
Impedance: 50Ω

Mechanical

RF Connector: N male
Mating Cable: QR1000
Outer Conductor: Brass

Outline Drawings



Unit: mm [in]
Tolerance: ± 0.2 mm [± 0.008 in]

How To Order

[QCN-MCB-R1000-1](#)

Customization is available upon request.