

QCN-MB-142-1

N Male

Features:
* Low VSWR

Applications:
* Wireless
* Radar
* Instruments
* Electronics

Electrical

Frequency:	DC ~ 12.4GHz
VSWR:	1.25 max.
Impedance of Dielectric:	5000MΩ min.
Voltage Withstand:	1000V DC min.
Impedance:	50Ω

Mechanical

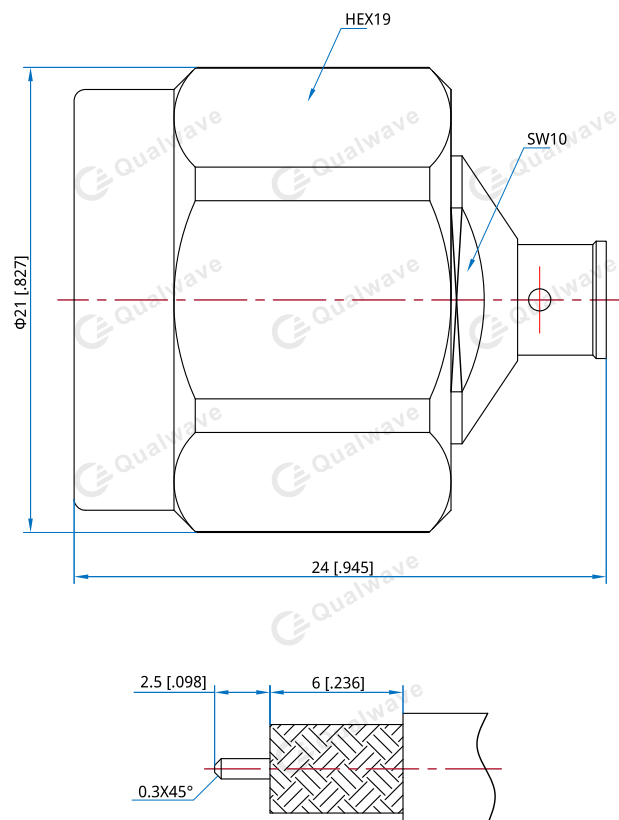
RF Connector:	N Male
Mating Cable:	RG142, RG142U
Outer Conductor:	Brass

How To Order

QCN-MB-142-1

Customization is available upon request.

Outline Drawings



Unit: mm [in]

Tolerance: ± 0.2 mm [± 0.008 in]