

# QCN-MB-141-3

## N Male

Features:  
\* Low VSWR

Applications:  
\* Wireless  
\* Radar  
\* Instruments  
\* Electronics



### Electrical

Frequency: DC~18GHz  
VSWR: 1.25 max.

### Mechanical

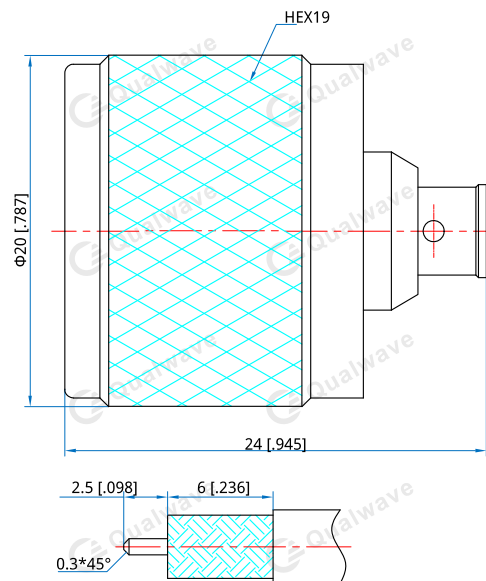
RF Connector: N Male  
Mating Cable: QH400, QE141, QD141  
Outer Conductor: Nickel plated brass

### How To Order

**QCN-MB-141-3**

Customization is available upon request.

### Outline Drawings



Unit: mm [in]

Tolerance:  $\pm 0.2\text{mm}$  [ $\pm 0.008\text{in}$ ]