

QCN-FL4G-A360-1

N Female, 4-Hole Flange Mount

Features:
* Low VSWR

Applications:
* Wireless
* Radar
* Instruments
* Electronics

Electrical

Frequency: DC~18GHz
VSWR: 1.35 max.
Impedance: 50Ω

Mechanical

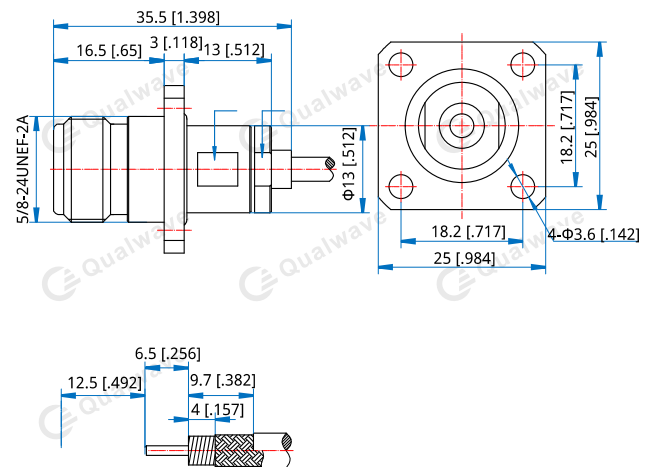
RF Connector: N Female
Mating Cable: QA360
Outer Conductor: 303F stainless steel

How To Order

QCN-FL4G-A360-1

Customization is available upon request.

Outline Drawings



Unit: mm [in]

Tolerance: ±0.2mm [±0.008in]