

# QCN-FHB-141-1

## N Female, Bulk Head

Features:  
\* Low VSWR

Applications:  
\* Wireless  
\* Radar  
\* Instruments  
\* Electronics

### Electrical

|                          |             |
|--------------------------|-------------|
| Frequency:               | DC~12GHz    |
| VSWR:                    | 1.2 max.    |
| Impedance of Dielectric: | 5000MΩ min. |
| Voltage Withstand:       | 1000V       |
| Impedance:               | 50Ω         |

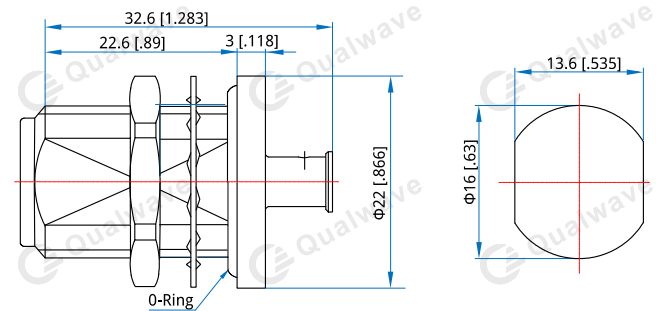
### Mechanical

|                  |                              |
|------------------|------------------------------|
| RF Connector:    | N female bulk head           |
| Mating Cable:    | QH400, QK141, QF141, QE141   |
| Durability:      | 500 cycles                   |
| Outer Conductor: | Ternary alloy plated brass   |
| Inner Conductor: | Gold plated beryllium copper |
| Dielectric:      | PTFE                         |

### Environmental

|              |            |
|--------------|------------|
| Temperature: | -55~+165°C |
|--------------|------------|

### Outline Drawings



Unit: mm [in]  
Tolerance: ±0.2mm [±0.008in]

### How To Order

**QCN-FHB-141-1**

Customization is available upon request.