

QCK-FL2G-086-1

2.92mm Female, 2-Hole Flange Mount

Features:
* Low VSWR

Applications:
* Wireless
* Radar
* Instruments
* Electronics

Electrical

Frequency: DC~40GHz
Impedance of Dielectric: 5000MΩ min.
Voltage Withstand: 750Vrms min.

Mechanical

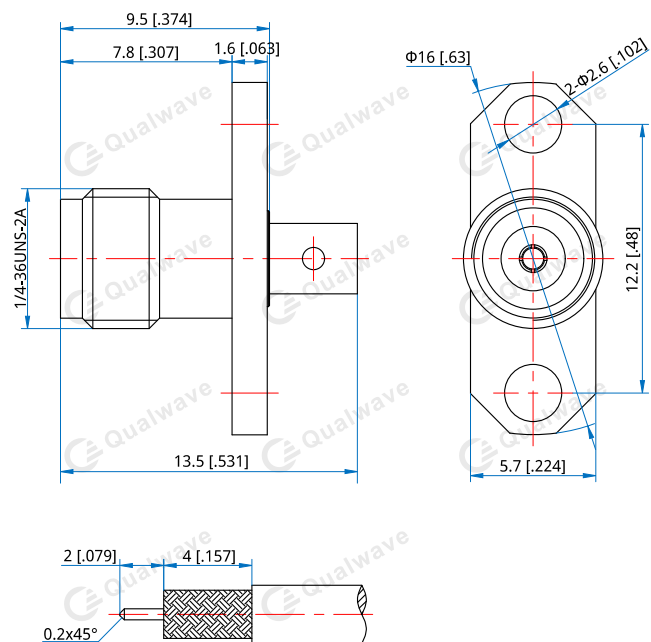
RF Connector: 2.92mm Female
Mating Cable: 086, QH280
Outer Conductor: Passivated stainless steel

How To Order

QCK-FL2G-086-1

Customization is available upon request.

Outline Drawings



Unit: mm [in]

Tolerance: ±0.5mm [±0.02in]