

QCK-FHG-A360-1

2.92mm Female Bulk Head

Features:
* Low VSWR

Applications:
* Wireless
* Radar
* Instruments
* Electronics

Electrical

Impedance of Dielectric:	5000MΩ min.
Voltage Withstand:	1000Vrms min.
VSWR:	1.25 max.
Impedance:	50Ω

Mechanical

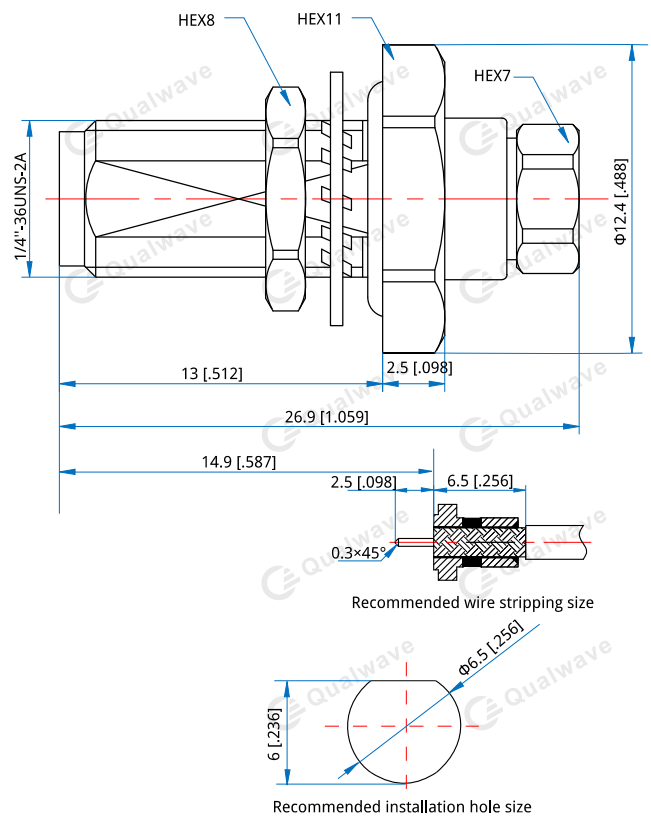
RF Connector:	2.92mm Female Bulk Head
Mating Cable:	QA360
Outer Conductor:	Passivated stainless steel

How To Order

QCK-FHG-A360-1

Customization is available upon request.

Outline Drawings



Unit: mm [in]

Tolerance: ± 0.5 mm [± 0.02 in]