

QCK-FG-A400-1

2.92mm Female

Features:
* Low VSWR

Applications:
* Wireless
* Radar
* Instruments
* Electronics

Electrical

Frequency:	DC~40GHz
VSWR:	1.25 max.
Impedance of Dielectric:	5000MΩ min.
Voltage Withstand:	1000V DC min.
Impedance:	50Ω

Mechanical

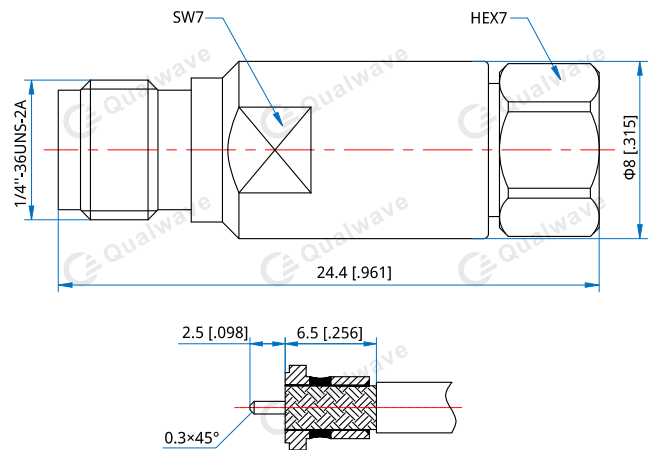
RF Connector:	2.92mm Female
Mating Cable:	QA400
Outer Conductor:	303F stainless steel

How To Order

QCK-FG-A400-1

Customization is available upon request.

Outline Drawings



Unit: mm [in]
Tolerance: ±0.2mm [±0.008in]