

QCG-MB-086-1

SSMP Male

Features:
* Low VSWR

Applications:
* Wireless
* Radar
* Instruments
* Electronics

Electrical

| | |
|--------------------------|--------------|
| Frequency: | DC~40GHz |
| VSWR: | 1.25 max. |
| Impedance of Dielectric: | 5000MΩ min. |
| Voltage Withstand: | 500Vrms min. |
| Impedance: | 50Ω |

Mechanical

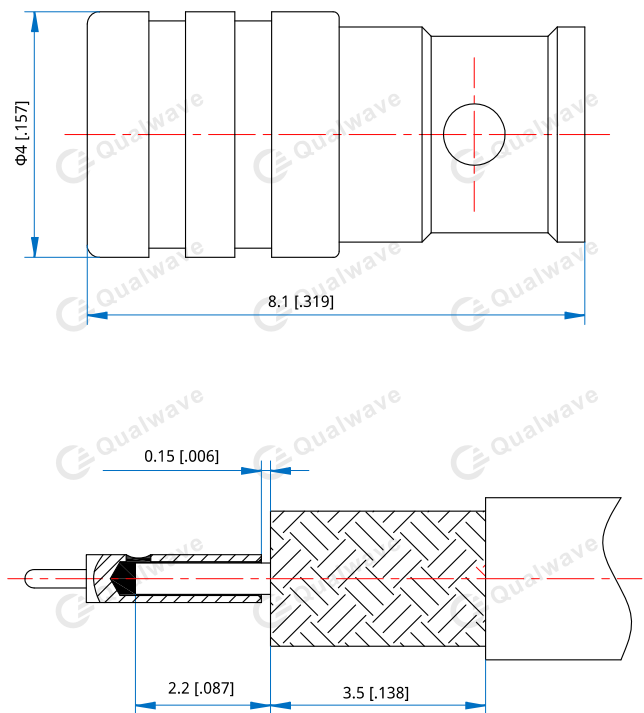
| | |
|------------------|----------------------------|
| RF Connector: | SSMP Male |
| Mating Cable: | QH280, QE086, QD086, RG316 |
| Outer Conductor: | Ternary alloy plated brass |

How To Order

QCG-MB-086-1

Customization is available upon request.

Outline Drawings



Unit: mm [in]

Tolerance: ±0.5mm [±0.02in]