

## QCG-FRB-047-2

### SSMP Female, Right Angle

Features:  
\* Low VSWR

Applications:  
\* Wireless  
\* Radar  
\* Instruments  
\* Electronics

#### Electrical

Frequency:	DC~18GHz
Impedance of Dielectric:	5000MΩ min.
Voltage Withstand:	500Vrms min

#### Mechanical

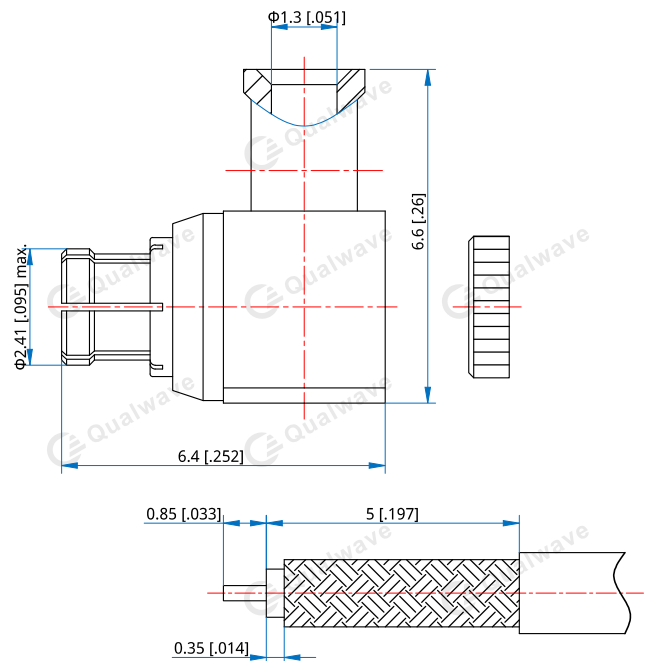
RF Connector:	SSMP Female, Right Angle
Mating Cable:	QA150, QH160, 047

#### How To Order

**QCG-FRB-047-2**

Customization is available upon request.

#### Outline Drawings



Unit: mm [in]

Tolerance: ±0.1mm [±0.004in]