

QCB-MG-A500-1

BNC Male

Features:
* Low VSWR

Applications:
* Wireless
* Radar
* Instruments
* Electronics

Electrical

Frequency:	DC-6GHz
Impedance of Dielectric:	5000MΩ min.
Voltage Withstand:	1000V DC min
Impedance:	50Ω

Mechanical

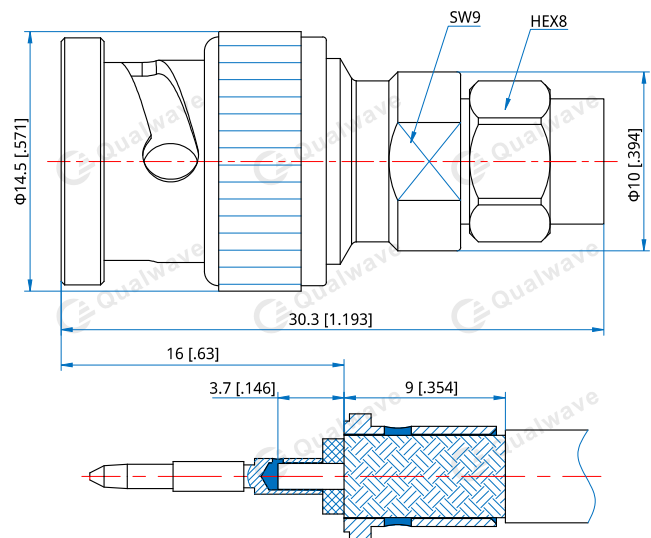
RF Connector:	BNC male
Mating Cable:	QA500
Outer Conductor:	Passivated Stainless Steel
Dielectric:	PTFE
Inner Conductor:	Gold plated brass

How To Order

QCB-MG-A500-1

Customization is available upon request.

Outline Drawings



Unit: mm [in]

Tolerance: ±0.2mm [±0.008in]