

QCA-MRG-A360-1

SSMA Male Right Angle

Features:
* Low VSWR

Applications:
* Wireless
* Radar
* Instruments
* Electronics

Electrical

Frequency:	DC~18GHz
VSWR:	1.4 max.
Impedance of Dielectric:	5000MΩ min.
Voltage Withstand:	750Vrms min.

Mechanical

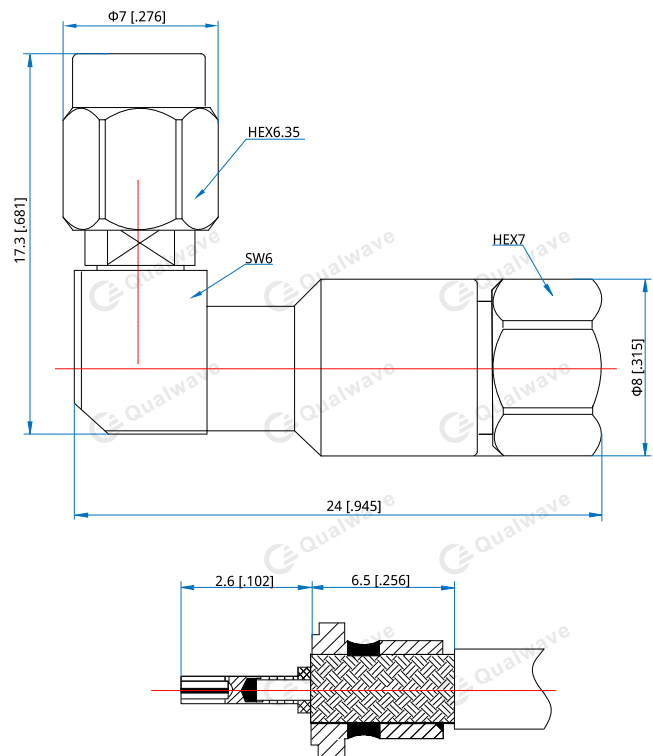
RF Connector:	SSMA male right angle
Mating Cable:	QA360
Outer Conductor:	Passivated stainless steel

How To Order

QCA-MRG-A360-1

Customization is available upon request.

Outline Drawings



Unit: mm [in]

Tolerance: ± 0.1 mm [± 0.004 in]