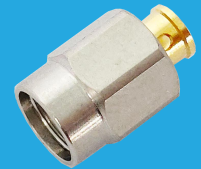


QCA-MG-086-2

SSMA Male

Features:
* Low VSWR

Applications:
* Wireless
* Radar
* Instruments
* Electronics



Electrical

Frequency:	DC ~ 26.5GHz
VSWR:	1.25 max.
Impedance of Dielectric:	5000MΩ min.
Voltage Withstand:	500V DC min.
Impedance:	50Ω

Mechanical

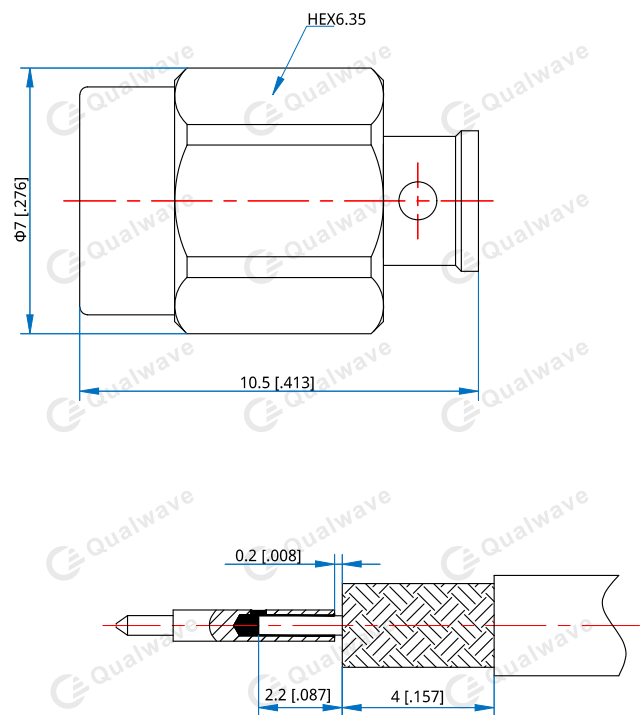
RF Connector:	SSMA Male
Mating Cable:	QH280, QD086, QE086, RG316, RG316D
Outer Conductor:	Stainless steel

How To Order

[QCA-MG-086-2](#)

Customization is available upon request.

Outline Drawings



Unit: mm [in]

Tolerance: ±0.2mm [±0.008in]