

QC7-MRB-B1200-1

7/16 Male

Features:
* Low VSWR

Applications:
* Wireless
* Radar
* Instruments
* Electronics

Electrical

Frequency:	DC~3GHz
Impedance of Dielectric:	5000MΩ min.
Voltage Withstand:	1000V
Impedance:	50Ω

Mechanical

RF Connector:	7/16 Male right angel
Mating Cable:	QB1200
Inner Conductor:	Silver plated brass
Dielectric:	PTFE
Outer Conductor:	Ternary alloy plated brass

Environmental

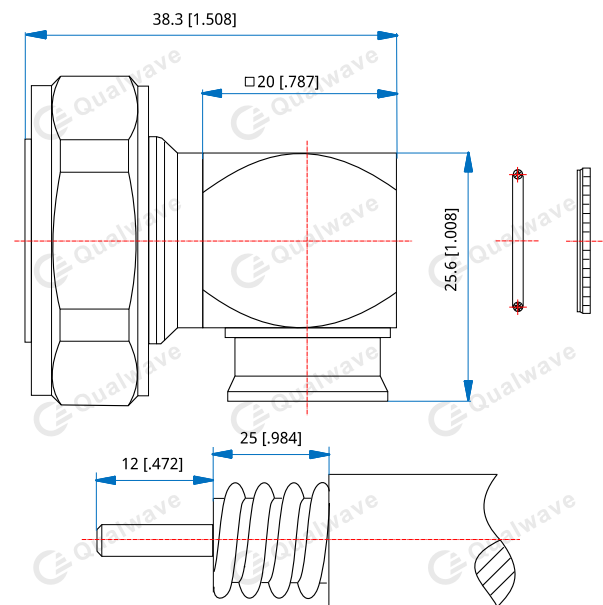
Operating Temperature: -55~+185°C

How To Order

QC7-MRB-B1200-1

Customization is available upon request.

Outline Drawings



Unit: mm [in]

Tolerance: ±0.2mm [±0.008in]