

# QC7-MCB-R1500-1

## 7/16 DIN Male, Crimp

Features:  
\* Low VSWR

Applications:  
\* Wireless  
\* Radar  
\* Instruments  
\* Electronics

### Electrical

Frequency:	DC~6GHz
VSWR:	1.25 max.
Impedance of Dielectric:	5000MΩ min.
Voltage Withstand:	2500V DC min.
Working Voltage:	1500V DC max.
Contact Resistance (Center):	0.4mΩ max.
Contact Resistance (Outer):	1mΩ max.
Durability:	500 cycles min.
Impedance:	50Ω

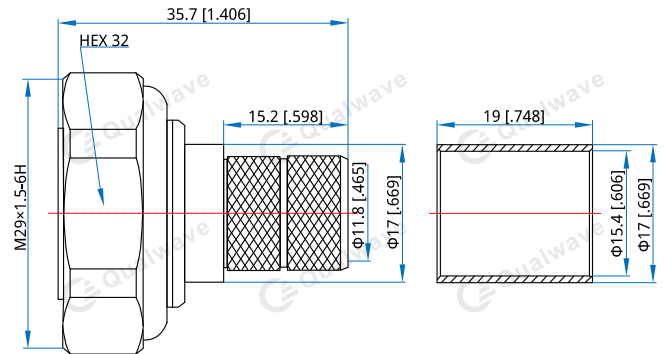
### Mechanical

RF Connector:	7/16 DIN male
Mating Cable:	QR1500
Outer Conductor:	Ternary alloy plated brass
Dielectric:	PTFE
Inner Conductor:	Sliver plated brass
Connection sleeve:	Nickel plated brass

### Environmental

Temperature:	-45~+125°C
--------------	------------

### Outline Drawings



Unit: mm [in]  
Tolerance: ±0.2mm [±0.008in]

### How To Order

**QC7-MCB-R1500-1**

Customization is available upon request.