

# QC7-MB-B1200-1

## 7/16 Male

Features:  
\* Low VSWR

Applications:  
\* Wireless  
\* Radar  
\* Instruments  
\* Electronics

### Electrical

Frequency:	DC~6GHz
VSWR:	1.3 max.
Impedance of Dielectric:	5000MΩ min.
Voltage Withstand:	2000V DC
Impedance:	50Ω

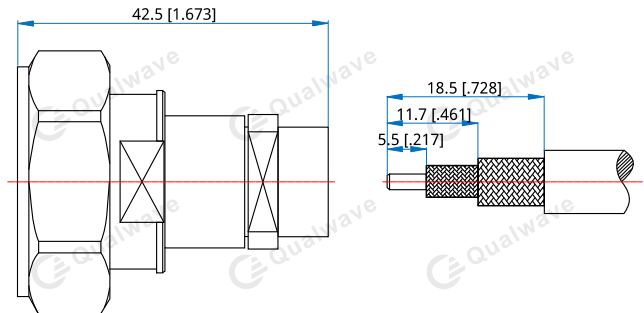
### Mechanical

RF Connector:	7/16 Male
Mating Cable:	QB1200
Mating Life Cycle:	500 cycles
Outer Conductor:	Ternary alloy plated brass
Dielectric:	PTFE
Inner Conductor:	Silver plated brass

### Environmental

Temperature:	-55~+165°C
--------------	------------

### Outline Drawings



Unit: mm [in]  
Tolerance: ±0.2mm [±0.008in]

### How To Order

**QC7-MB-B1200-1**

Customization is available upon request.