

# QC4-MCB-R1000-1

## 4.3-10 Male, Crimp

Features:  
\* Low VSWR

Applications:  
\* Wireless  
\* Radar  
\* Instruments  
\* Electronics

### Electrical

Frequency:	DC~6GHz
Insertion Loss:	0.3dB max.
VSWR:	1.3 max.
Voltage Withstand:	1500Vrms
Impedance of Dielectric:	5000MΩ min.
Impedance:	50Ω

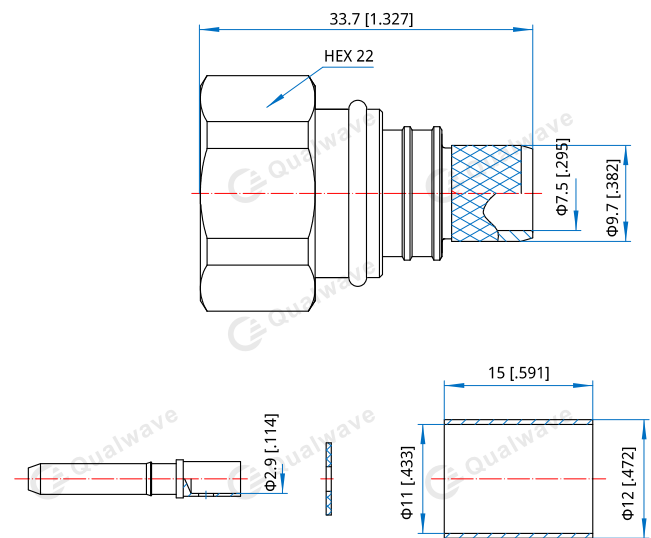
### Mechanical

RF Connector:	4.3-10 Male
Operation Life:	500 Cycles min.
Mating Cable:	QR1000, LMR400
Outer Conductor:	SuCo Plated Brass
Insulator:	Teflon
Contact Pin:	Silver Plated Brass

### Environmental

Temperature:	-55~+125°C
--------------	------------

### Outline Drawings



Unit: mm [in]  
Tolerance: ±0.5mm [±0.02in]

### How To Order

**QC4-MCB-R1000-1**

Customization is available upon request.