

QC4-FCB-R1000-1

4.3-10 Female, Crimp

Features:
* Low VSWR

Applications:
* Wireless
* Radar
* Instruments
* Electronics

Electrical

Frequency:	DC~6GHz
VSWR:	1.3 max.
Voltage Withstand:	2500V
Impedance of Center Conductor:	1.5MΩ max.
Impedance of Outer Conductor:	1.5MΩ max.
Impedance of Dielectric:	5000MΩ min.
PIM:	-160dBc (2×43dBm) max.
Impedance:	50Ω

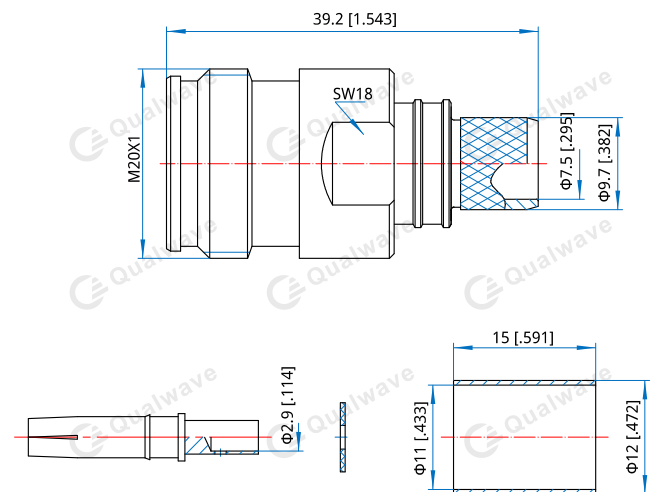
Mechanical

RF Connector:	4.3-10 Female
Operation Life:	500 Cycles min.
Mating Cable:	QR1000, LMR400
Outer Conductor:	SuCo Plated Brass
Insulator:	Teflon
Contact Pin:	Silver Plated Bronze

Environmental

Temperature:	-55~+125°C
--------------	------------

Outline Drawings



Unit: mm [in]
Tolerance: ±0.5mm [±0.02in]

How To Order

QC4-FCB-R1000-1

Customization is available upon request.