

QC3-MG-Z360-1

3.5mm Male

Features:
* Low VSWR

Applications:
* Wireless
* Radar
* Instruments
* Electronics

Electrical

Frequency: DC~26.5GHz
VSWR: 1.25 max.
Impedance: 50Ω

Mechanical

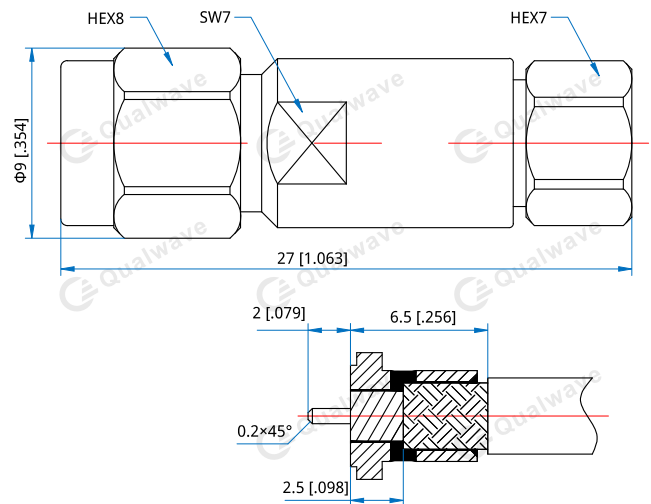
RF Connector: 3.5mm Male
Mating Cable: QZ360
Outer Conductor: 303F stainless steel

How To Order

QC3-MG-Z360-1

Customization is available upon request.

Outline Drawings



Unit: mm [in]

Tolerance: ±0.2mm [±0.008in]