

QC2-FL2G-T50P-1

2.4mm Female, 2-Hole Flange Mount

Features:
* Low VSWR

Applications:
* Wireless
* Radar
* Instruments
* Electronics

Electrical

Frequency:	DC-50GHz
VSWR:	1.35 max.
Impedance of Dielectric:	5000MΩ min.
Voltage Withstand:	500V DC min
Impedance:	50Ω

Mechanical

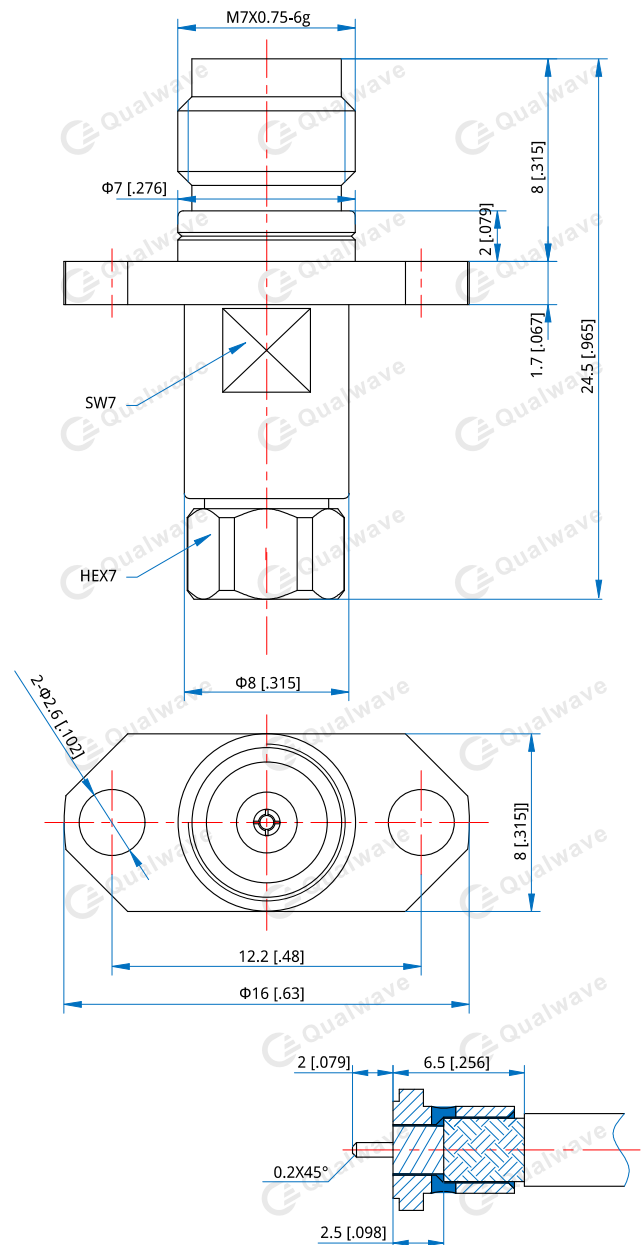
RF Connector:	2.4mm Female
Mating Cable:	QT50P
Outer Conductor:	Passivated stainless steel
Dielectric:	PEI
Inner Conductor:	Gold plated beryllium copper

How To Order

QC2-FL2G-T50P-1

Customization is available upon request.

Outline Drawings



Unit: mm [in]
Tolerance: ±0.2mm [±0.008in]