

QC1-FG-047-1

1.0mm Female

Features:
* Low VSWR

Applications:
* Wireless
* Radar
* Instruments
* Electronics

Electrical

Frequency:	DC~110GHz
VSWR:	1.5 max.
Impedance of Dielectric:	5000MΩ min.
Voltage Withstand:	500Vrms min.

Mechanical

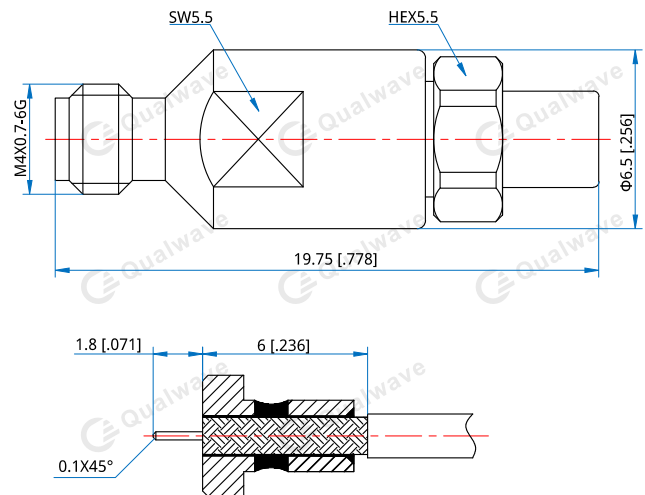
RF Connector:	1.0mm Female
Mating Cable:	047, QH160
Dielectric:	PEI
Outer Conductor:	Passivated stainless steel
Inner Conductor:	Gold plated beryllium copper

How To Order

QC1-FG-047-1

Customization is available upon request.

Outline Drawings



Unit: mm [in]

Tolerance: ±0.1mm [±0.004in]