

QDRHA-1000-6000-N

1~6GHz, N

Features:
* Broadband

Applications:
* Wireless
* Transceiver
* Laboratory Test
* Broadcast

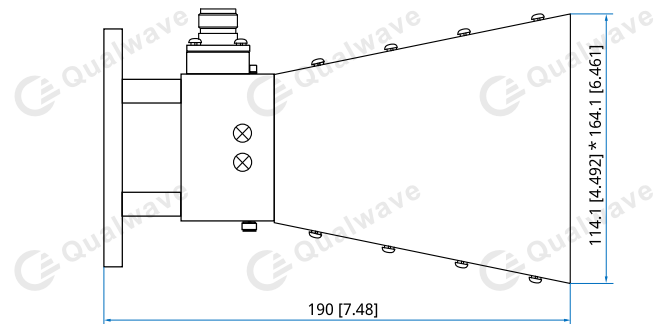
Electrical

Frequency:	1~6GHz
Gain:	10dB
VSWR:	2.5 max.
H Plane Beam Width:	26.19°~88.77°
E Plane Beam Width:	25.62°~104.24°

Mechanical

Size:	190*114.1*164.1mm 7.48*4.492*6.461in
Connectors:	N Female

Outline Drawings



Unit: mm [in]

Tolerance: $\pm 0.2\text{mm}$ [$\pm 0.008\text{in}$]

How To Order

QDRHA-1000-6000-N

Customization is available upon request.