

QDRHA-1000-18000-S

1~18GHz, SMA

Features:
* Broadband

Applications:
* Wireless
* Transceiver
* Laboratory Test
* Broadcast

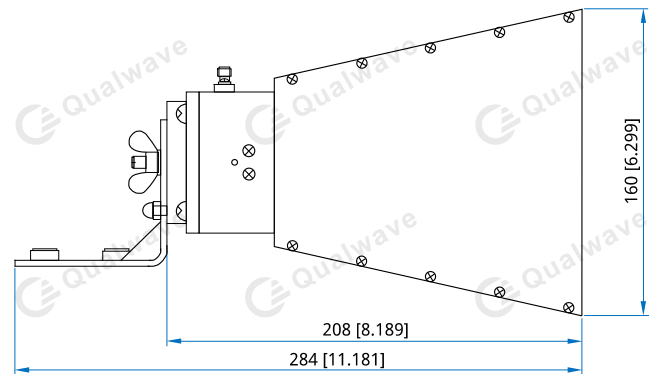
Electrical

Frequency:	1~18GHz
VSWR:	2.5 max.
Gain:	10.7dB min.
H Plane Beam Width:	7.04°~72.58°
E Plane Beam Width:	8.94°~50.8°

Mechanical

Size:	284*160mm 11.181*6.299in
Connectors:	SMA female

Outline Drawings



Unit: mm [in]

Tolerance: ± 0.2 mm [± 0.008 in]

How To Order

QDRHA-1000-18000-S

Customization is available upon request.