

QLB-3400-4800-60-75

3.4~4.2GHz, 4.2~4.8GHz, 60dB, 75K, C-Band

Features:

- * Broad Band
- * Low Noise Temperature
- * Low Input VSWR

Applications:

- * Fixed Station
- * Mobile Station
- * Laboratory Test

Electrical

Gain:	60dB
Gain Flatness:	3.0dBp-p max.
Noise Temperature:	75K
Output Power (Psat):	10dBm min.
Input/Output VSWR:	1.5/1.5
Phase Noise:	-65dBc/Hz@100Hz max. -75dBc/Hz@1KHz max. -82dBc/Hz@10KHz max. -92dBc/Hz@100KHz max.
Frequency Stability:	±1ppm max. @Internal Reference
External Reference:	10MHz, 0±3dBm
Voltage:	12~18V DC
Current:	200mA typ.
Impedance:	50Ω

Input RF Frequency (GHz)	Output IF Frequency (MHz)	LO Frequency (GHz)	Control Voltage (LO) (V)
3.4~4.2	950~1750	5.15	13
4.2~4.8	950~1550	5.75	18

Mechanical

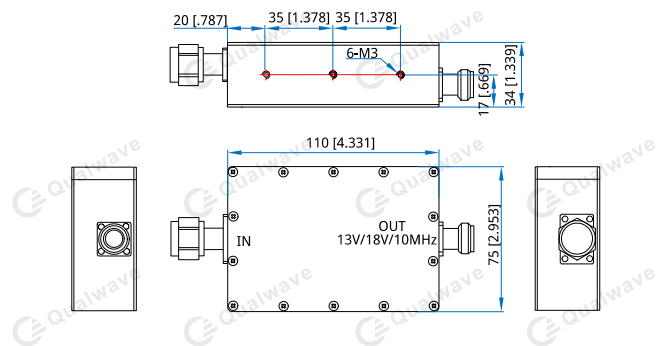
Size*1:	110*75*34mm 4.331*2.953*1.339in
RF Input Connectors:	N male/N female /SMA male /SMA female
Ext.ref. Input(10MHz)/	N Female /SMA Female /75Ω F
IF Output Connectors:	Inch Thread Female
Weight:	500g max.

[1] Exclude connectors.

Environmental

Operating Temperature:	-40~+60°C
Operating Humidity:	0~100%

Outline Drawings



Unit: mm [in]

Tolerance: ±0.5mm [±0.02in]

How To Order

QLB-3400-4800-60-75-Y-Z

Y: Input connector type

Z: Output connector type

Connector naming rules:

- N - N female
- S - SMA female
- NM - N male
- SM - SMA male
- F - F Inch Thread female

Examples:

To order a Block Downconverters (LNBs), 3.4~4.8GHz, 60dB, 75K, N male, N female, specify QLB-3400-4800-60-75-NM-N.

Customization is available upon request.