

QLB-2200-2700-60-50

2.2~2.7GHz, 60dB, 50K, S-Band

Features:

- * Broad Band
- * Low Noise Temperature
- * Low Input VSWR

Applications:

- * Fixed Station
- * Mobile Station
- * Laboratory Test

Electrical

Input RF Frequency:	2.2~2.7GHz
Output IF Frequency:	950~1450MHz
LO Frequency:	3.65GHz
Gain:	60dB
Gain Flatness:	2.0dBp-p/500MHz max.
Noise Temperature:	50K
Output Power (Psat):	10dBm min.
Input/Output VSWR:	2.0/1.5
Phase Noise:	-65dBc/Hz@100Hz max. -75dBc/Hz@1KHz max. -82dBc/Hz@10KHz max. -92dBc/Hz@100KHz max.
Frequency Stability:	±1ppm max. @Internal Reference
External Reference:	10MHz, 0±3dBm
Voltage:	12~18V DC
Current:	200mA typ.
Impedance:	50Ω

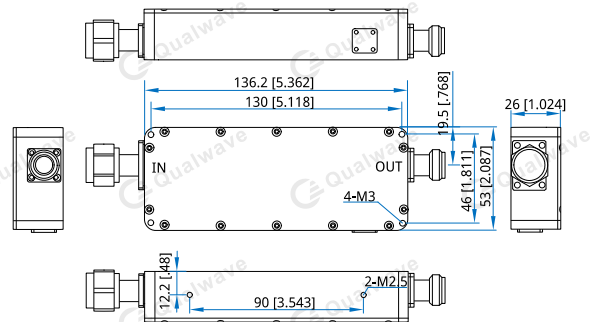
Mechanical

Size*1:	136.2*53*26mm 5.362*2.087*1.024in
RF Input connector:	N male/N female/ SMA male/SMA female
Ext.ref. Input(10MHz)/	N Female /SMA Female /75Ω F
IF Output Connector:	Inch Thread Female
Weight:	470g max.

[1] Exclude connectors.

Environmental

Operating Temperature:	-40~+60°C
Operating Humidity:	0~100%

Outline Drawings


Unit: mm [in]

Tolerance: ±0.5mm [±0.02in]

How To Order

QLB-2200-2700-60-50-Y-Z

Y: Input connector type

Z: Output connector type

Connector naming rules:

- NM - N male
- SM - SMA male
- N - N female
- S - SMA female
- F - F Inch Thread female

Examples:

To order a Block Downconverters (LNBs), 2.2~2.7GHz, 60dB, 50K, N male, N female, specify QLB-2200-2700-60-50-NM-N.

Customization is available upon request.