

## QBT-0.1-6000

0.1~6000MHz

### Features:

- \* Broadband
- \* Small Size

### Applications:

- \* Telecom
- \* Satcom
- \* Laboratory Test
- \* Instrumentation

### Electrical

Frequency Range:	0.1~6000MHz
Insertion Loss:	1.5dB max.
Isolation:	30dB min.
VSWR:	1.5 max.
Voltage:	0~+50V
Current:	1A
RF Input Power:	1W

### Mechanical

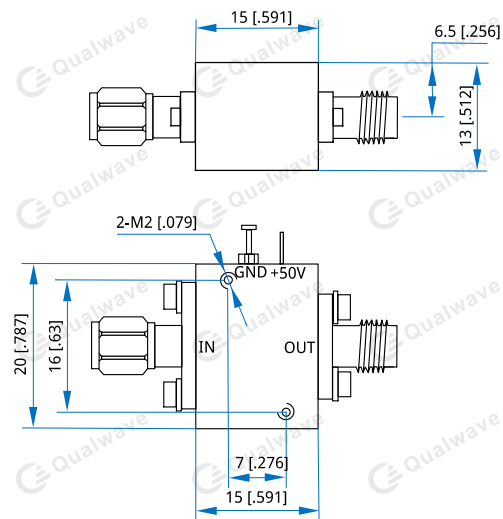
Size <sup>*1</sup> :	15*20*13mm 0.591*0.787*0.512in
DC&Control Connectors:	Solder Pin
RF Connectors:	SMA
RFIN:	DC & RF
RFOUT:	RF

[1] Exclude connectors.

### Environmental

Operating Temperature:	-40~+70°C
Non-operating Temperature:	-55~+85°C

### Outline Drawings



Unit: mm [in]

Tolerance:  $\pm 0.2\text{mm}$  [ $\pm 0.008\text{in}$ ]

### How To Order

**QBT-0.1-6000**

Customization is available upon request.