

QBF-8500-9500-40

8.5~9.5GHz, 40dB

Features:

- * High Stopband Rejection
- * Small Size

Applications:

- * Telecom
- * Laboratory Test
- * Receivers
- * Instrumentation

Electrical

Passband:	8.5~9.5GHz
Passband Insertion Loss:	2dB max.
Passband Ripple:	0.8dB max.
VSWR:	1.5 max.
Stopband Attenuation:	40dBc@7.6GHz min. 40dBc@10.3GHz min.

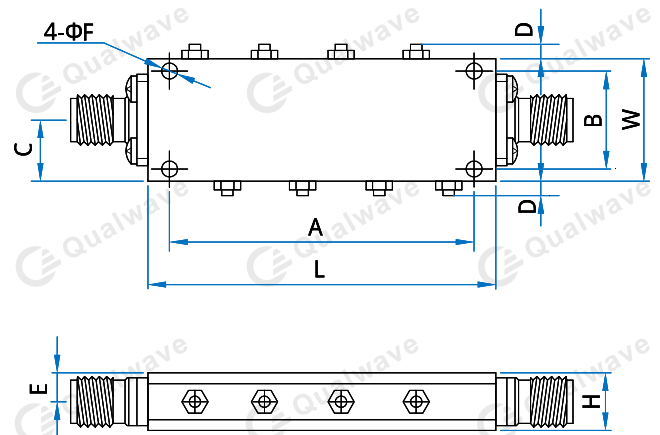
Mechanical

RF Connectors:	SMA Female
Mounting:	4* Φ 2.2mm through-hole

Environmental

Operating Temperature:	-40~+70°C
Non-operating Temperature:	-55~+105°C

Outline Drawings



Size:	L	W	H	A	B	C	D	E	F
mm:	50	15	8	42	11.6	7.5	2	4	2.2
in:	1.969	0.591	0.315	1.654	0.457	0.295	0.079	1.575	0.087

Unit: mm [in]

Tolerance: ± 0.2 mm [± 0.008 in]

How To Order

QBF-8500-9500-40

Customization is available upon request.