

QBF-40-100-30

0.04~0.1GHz, 30dB

Features:

- * High Stopband Rejection
- * Small Size

Applications:

- * Telecom
- * Laboratory Test
- * Receivers
- * Instrumentation

Electrical

Passband:	0.04~0.1GHz
Passband Insertion Loss:	1.5dB max.
Passband Ripple:	0.8dB max.
VSWR:	1.5 max.
Stopband Attenuation:	30dB@DC~30MHz min. 30dB@118~400MHz min.
Impedance:	50Ω
Average Power:	1W max.

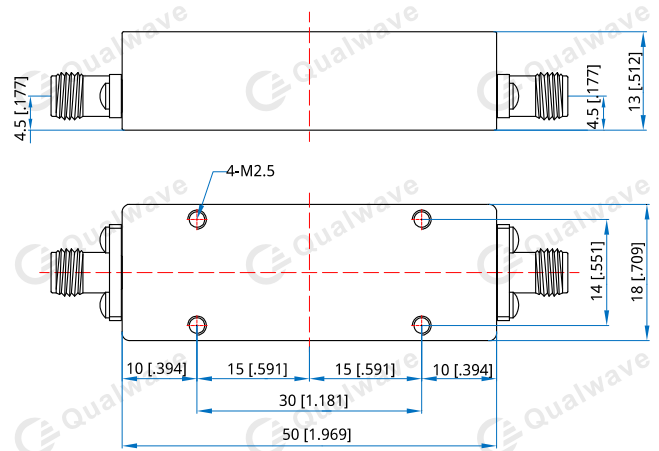
Mechanical

Size ^{*1} :	50*18*13mm 1.969*0.709*0.512in
Connectors:	SMA Female
Mounting:	4-M2.5 through hole

[1] Exclude connectors.

Environmental

Temperature:	-30~+70°C
--------------	-----------

Outline Drawings


Unit: mm [in]

Tolerance: ±0.2mm [±0.008in]

How To Order

QBF-40-100-30

Customization is available upon request.