

QBF-26300-26900-40

26.3~26.9GHz, 40dB

Features:

- * High Stopband Rejection
- * Small Size

Applications:

- * Telecom
- * Laboratory Test
- * Receivers
- * Instrumentation

Electrical

Frequency:	26.3~26.9GHz
Insertion Loss:	0.6dB max.
Passband Ripple:	1dB max.
VSWR:	1.5 max.
Stopband Attenuation:	60dB@≤24GHz min. 40dB@≥30GHz min.

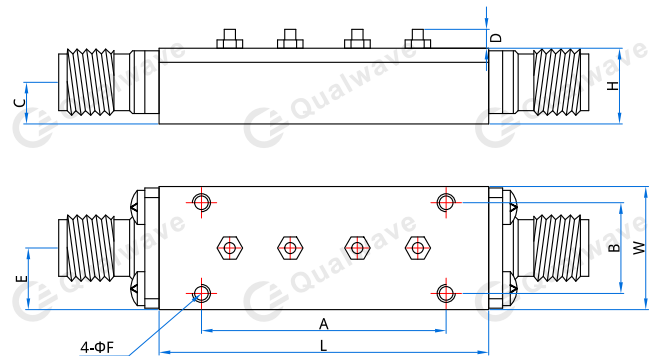
Mechanical

RF Connectors:	2.92mm Female
Mounting:	4-M2 through-hole

Environmental

Operating Temperature:	-40~+70°C
Non-operating Temperature:	-55~+85°C

Outline Drawings



Size	L	W	H	A	B	C	D	E
mm	35	13	8	26	9.6	4.4	2	6.5
in	1.378	0.512	0.315	1.024	0.378	0.173	0.079	0.256

Unit: mm [in]

Tolerance: ±0.2mm [±0.008in]

How To Order

QBF-26300-26900-40

Customization is available upon request.