

QBF-110-170-30

0.11~0.17GHz, 30dB

Features:
 * High Stopband Rejection
 * Small Size

Applications:
 * Telecom
 * Laboratory Test
 * Receivers
 * Instrumentation

Electrical

Passband:	0.11~0.17GHz
Passband Insertion Loss:	2dB max.
Passband Ripple:	0.7dB max.
VSWR:	1.5 max.
Stopband Attenuation:	30dB@DC~80MHz min. 30dB@200~400MHz min.
Impedance:	50Ω
Average Power:	1W max.

Mechanical

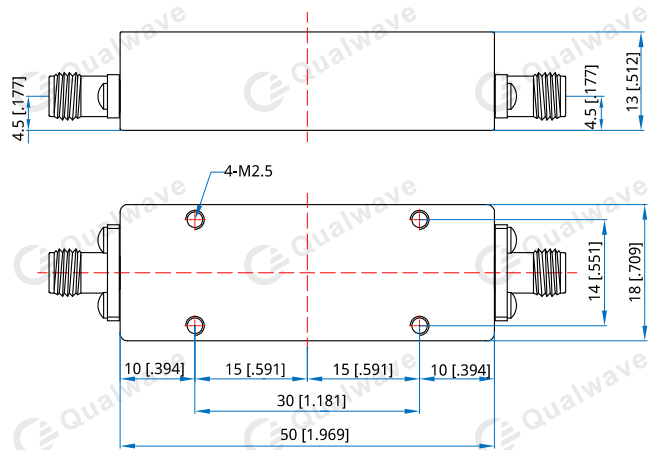
Size ^{*1} :	50*18*13mm 1.969*0.709*0.512in
Connectors:	SMA Female
Mounting:	4-M2.5 through hole

[1] Exclude connectors.

Environmental

Temperature:	-30~+70°C
--------------	-----------

Outline Drawings



Unit: mm [in]
 Tolerance: ±0.2mm [±0.008in]

How To Order

QBF-110-170-30

Customization is available upon request.