

QBAL-500K-6000-1

0.5~6000MHz

Features:
 * Broad Band
 * Low Noise

Applications:
 * Wireless
 * Receiver
 * Laboratory Test
 * Radar

Electrical

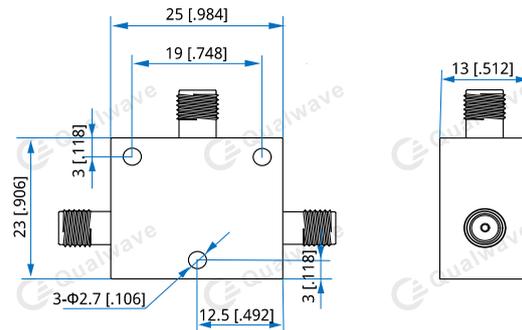
| | |
|-------------------------|-------------------|
| Frequency: | 0.5~6000MHz |
| Nominal Insertion Loss: | 6dB typ. |
| Phase Shift: | 180° typ. |
| Amplitude Balance: | ±1.2dB max. |
| Phase Balance: | ±10dB max. |
| Common Mode Rejection: | 20dB min. |
| Excess Insertion Loss: | 2.5dB max. |
| Isolation: | 8dB typ. |
| VSWR: | 1.5 typ. |
| Impedance: | 50Ω |
| Input Power: | 1W max. |
| Risetime/Falltime: | 17ps ² |

Mechanical

| | |
|----------------------|-----------------------------------|
| Size ^{*1} : | 25*23*13mm 0.984*0.906*0.512in |
| Connectors: | SMA Female |
| Mounting: | 3-Φ2.7mm through hole |

[1] Exclude connectors and terminations.

Outline Drawings



Unit: mm [in]

Tolerance: ±0.3mm [±0.012in]

How To Order

QBAL-500K-6000-1

Customization is available upon request.