

## QBM-1700-8000

1.7~8GHz

### Features:

- \* Low Conversion Loss
- \* High Isolation

### Applications:

- \* Wireless
- \* Transceiver
- \* Laboratory Test
- \* Broadcast

### Electrical

RF Frequency:	1.7~8GHz
LO Frequency:	1.7~8GHz
LO Input Power:	+10dBm typ.
IF Frequency:	DC~3GHz
Conversion Loss:	6dB typ.
Input Power(P1dB):	3dBm typ.
Isolation (LO, RF):	25dB typ.
Isolation (LO, IF):	20dB typ.
VSWR:	3 typ.

### Absolute Maximum Ratings

RF Input Power:	+17dBm
-----------------	--------

### Mechanical

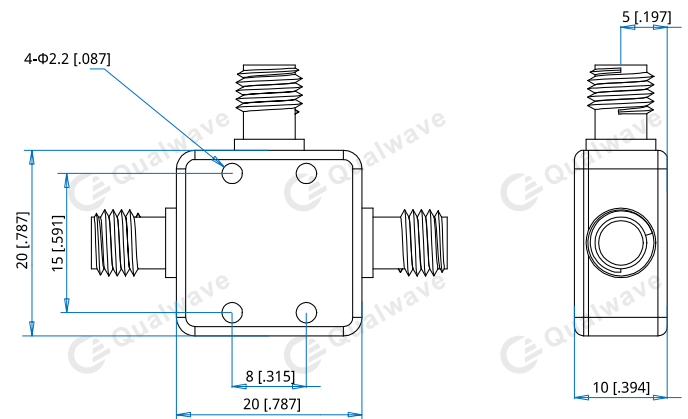
Size*1:	20*20*10mm 0.787*0.787*0.394in
Connectors:	SMA Female
Mounting:	4-Φ2.2mm through-hole

[1] Exclude connectors.

### Environmental

Operating Temperature:	-35~+75°C
------------------------	-----------

### Outline Drawings



Unit: mm [in]

Tolerance:  $\pm 0.2$ mm [ $\pm 0.008$ in]

### How To Order

**QBM-1700-8000**

Customization is available upon request.