

# QCPF-MB-B70-02

## SMP Connector, DC~18GHz

Features:  
\* Low VSWR

Applications:  
\* Wireless  
\* Radar  
\* Instruments  
\* Electronics

### Electrical

Frequency:	DC~18GHz
Impedance of Dielectric:	5000MΩ min.
Voltage Withstand:	500V DC
Impedance:	50Ω

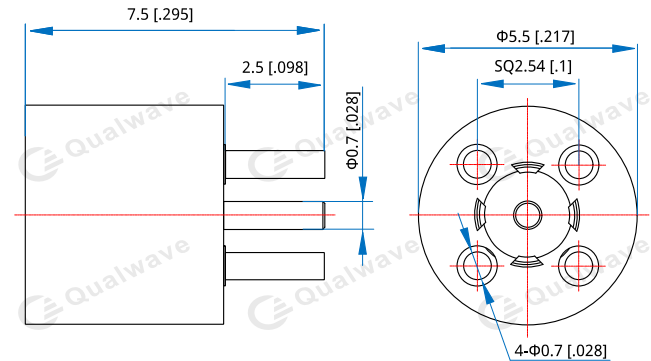
### Mechanical

RF Connector:	SMP male
Mating Life Cycle:	100 Cycles min.
Detent mode:	Full detent
Outer Conductor:	Gold plated Brass
Dielectric:	PTFE
Inner Conductor:	Gold plated Beryllium Copper

### Environmental

Temperature:	-55~+165°C
--------------	------------

### Outline Drawings



Unit: mm [in]  
Tolerance: ±0.5mm [±0.02in]

### How To Order

**QCPF-MB-B70-02**

Customization is available upon request.