

QCN-FL4B-P304-01

N Connector, DC~6GHz

Features:
* Low VSWR

Applications:
* Wireless
* Radar
* Instruments
* Electronics



Electrical

Frequency:	DC~6GHz
VSWR:	1.25 max.
Impedance:	50Ω
Dielectric Withstand Voltage:	1500V rms
Insulation Resistance:	5000MΩ min.

Mechanical

RF Connector:	N Female
Mating Life Cycle:	500 cycles
Outer Conductor:	Ternary alloy plated brass
Inner Conductor:	Gold plated beryllium copper
Dielectric:	PTFE

Environmental

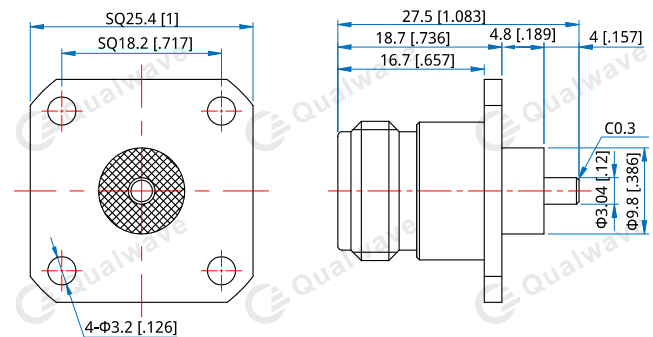
Temperature:	-55~+125°C
--------------	------------

How To Order

QCN-FL4B-P304-01

Customization is available upon request.

Outline Drawings



Unit: mm [in]
Tolerance: ±0.2mm [±0.008in]