

QCK-FL4G-S23-04

2.92mm Connector, DC~40GHz

Features:
* Low VSWR

Applications:
* Wireless
* Radar
* Instruments
* Electronics

Electrical

Frequency:	DC~40GHz
VSWR:	1.25 max.
Impedance of Dielectric:	5000MΩ min.
Voltage Withstand:	1000V DC
Impedance:	50Ω

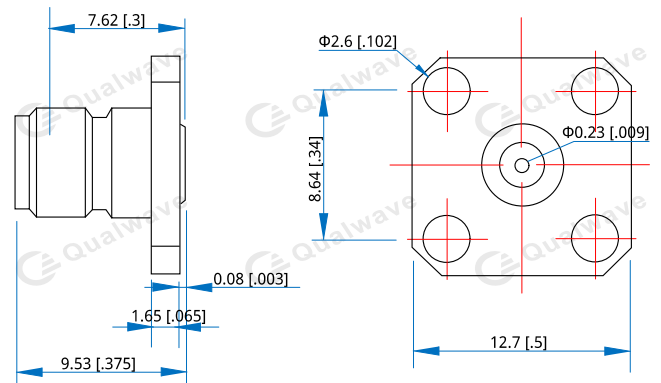
Mechanical

RF Connector:	2.92mm Female
Mating Life Cycle:	500 cycles
Outer Conductor:	Passivated Stainless Steel
Dielectric:	PEI
Inner Conductor:	Gold Plated Beryllium Copper
Accept PIN:	Φ0.23mm

Environmental

Temperature:	-55~+165°C
--------------	------------

Outline Drawings



Unit: mm [in]
Tolerance: ±0.2mm [±0.008in]

How To Order
QCK-FL4G-S23-04

Customization is available upon request.