

QCGL-MRB-D30-01

SSMP Connector, DC~30GHz

Features:
* Low VSWR

Applications:
* Wireless
* Radar
* Instruments
* Electronics

Electrical

Frequency:	DC~30GHz
VSWR:	1.6 max.
Impedance of Dielectric:	5000MΩ min.
Voltage Withstand:	500V
Salt Fog:	48h
Impedance:	50Ω

Mechanical

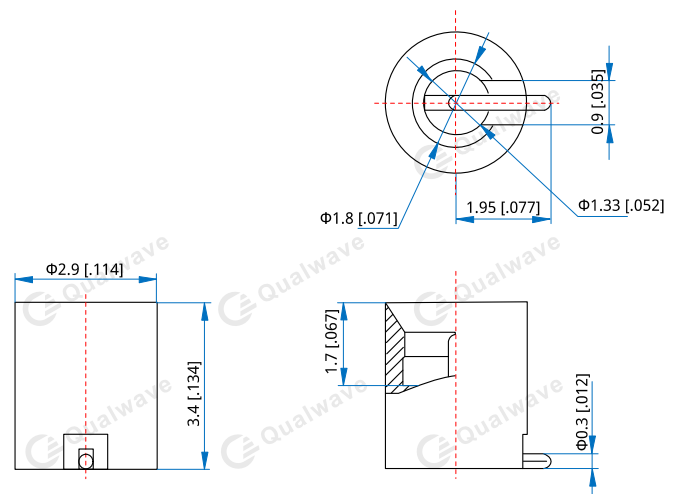
RF Connector* ¹ :	SSMP male
Detent mode:	Limited detent
Mating Life Cycle:	500 cycles
Outer Conductor:	Gold plated brass
Dielectric:	PEEK
Inner Conductor:	Gold plated beryllium copper

[1] Mateable with GPPO, SMPM & Mini-SMP.

Environmental

Temperature:	-55~+125°C
--------------	------------

Outline Drawings



Unit: mm [in]
Tolerance: ±0.2mm [±0.008in]

How To Order

QCGL-MRB-D30-01

Customization is available upon request.