

# QCG-MO-M

## SSMP Connector, DC~65GHz

Features:  
\* Low VSWR

Applications:  
\* Wireless  
\* Radar  
\* Instruments  
\* Electronics

### Electrical

Frequency: DC~65GHz  
VSWR: 1.25 max.  
Impedance: 50Ω

### Mechanical

RF Connector\*1: SSMP male  
Bead: 7070  
Outer Conductor: Gold plated keval 4J29  
Inner Conductor: Gold plated keval 4J29

[1] Mateable with GPPO, SMPM & Mini-SMP.

### How To Order

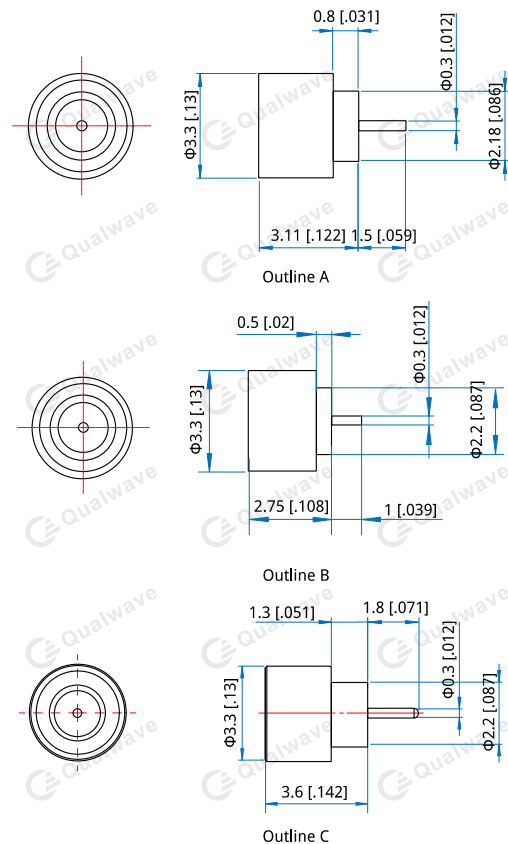
[QCG-MO-M30-01](#) - Outline A

[QCG-MO-M30-02](#) - Outline B

[QCG-MO-M30-03](#) - Outline C

Customization is available upon request.

### Outline Drawings



Unit: mm [in]  
Tolerance:  $\pm 0.2\text{mm}$  [ $\pm 0.008\text{in}$ ]