

# QHC9-2700-3500-K5-N

2.7~3.5GHz, 500W

Features:  
 \* Broadband  
 \* High Power  
 \* Low Insertion Loss

Applications:  
 \* Amplifiers  
 \* Transmitter  
 \* Laboratory Test  
 \* Radar

## Electrical

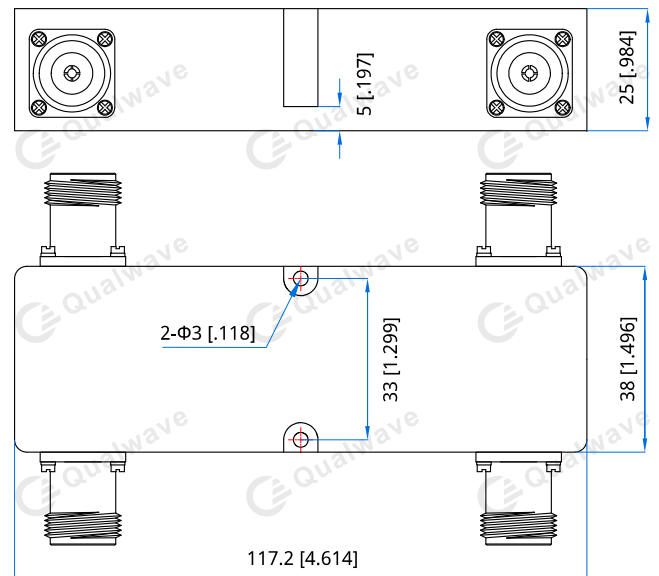
Frequency:	2.7~3.5GHz
Insertion Loss:	0.5dB max.
VSWR:	1.5 max.
Isolation:	16dB min.
Phase Balance:	8° max.
Amplitude Balance:	±0.8dB max.
Average Power:	500W max.
Peak Power:	2KW max.

## Mechanical

Size <sup>*1</sup> :	117.2*38*25mm 4.614*1.496*0.984in
RF Connectors:	N Female
Mounting:	2-Φ3mm through-hole

[1] Exclude connectors.

## Outline Drawings



Unit: mm [in]

Tolerance: ±0.2mm [±0.008in]

## How To Order

**QHC9-2700-3500-K5-N**

Customization is available upon request.