

# QHC9-1400-2500-30-S

## 1.4~2.5GHz, 30W

**Features:**

- \* Broadband
- \* High Power
- \* Low Insertion Loss

**Applications:**

- \* Amplifiers
- \* Transmitter
- \* Laboratory Test
- \* Radar

**Electrical**

Frequency:	1.4~2.5GHz
Insertion Loss:	0.2dB max.
VSWR:	1.25 max.
Isolation:	20dB min.
Amplitude Balance:	±0.2dB max.
Phase Balance:	±2°
Average Power:	30W
Impedance:	50Ω

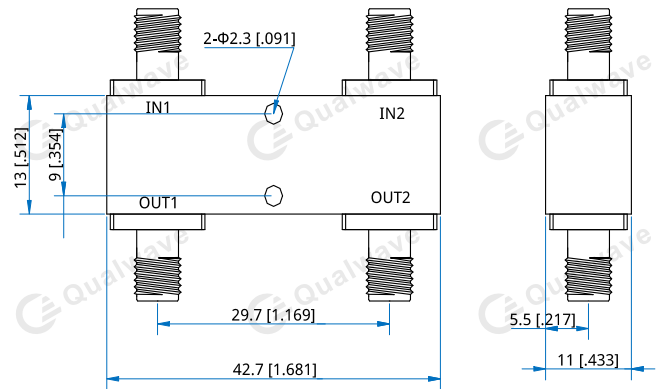
**Mechanical**

Size <sup>*1</sup> :	42.7*13*11mm 1.681*0.512*0.433in
RF Connectors:	SMA Female
Mounting:	2-Φ2.3mm through hole

[1] Exclude connectors.

**Environmental**

Operating temperature:	-40~+85°C
------------------------	-----------

**Outline Drawings**


Unit: mm [in]

Tolerance: ±0.5mm [±0.02in]

**How To Order**

**QHC9-1400-2500-30-S**

Customization is available upon request.