

QPD6-0-6000-2-S

6-Way, DC~6GHz, 2W

Features:

- * Broadband
- * Low Insertion Loss
- * High Power

Applications:

- * Amplifiers
- * Mixers
- * Antennas
- * Laboratory Test

Electrical

Frequency:	DC~6GHz
Insertion Loss:	17dB max.
VSWR:	1.5 max.
Isolation:	15dB min.
Amplitude Balance:	±1.5dB
Impedance:	50Ω
Power @SUM Port:	2W max. as divider

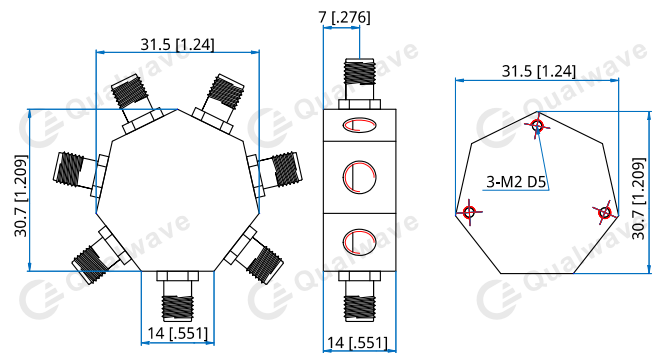
Mechanical

Size ^{*1} :	31.5*30.7*14mm 1.24*1.209*0.551in
Connectors:	SMA Female
Mounting:	3-M2, depth 5mm

[1] Exclude connectors.

Environmental

Operation Temperature:	-35~+75°C
------------------------	-----------

Outline Drawings


Unit: mm [in]

Tolerance: ±0.5mm [±0.02in]

How To Order

QPD6-0-6000-2-S

Customization is available upon request.