

QPD5-0-8000-2

5-Way, DC~8GHz, 2W

Features:

- * Small Size
- * Low Insertion Loss

Applications:

- * Amplifiers
- * Mixers
- * Antennas
- * Laboratory Test

Electrical

Frequency:	DC~8GHz
Insertion Loss ^{*1} :	1.5dB max.
Input VSWR:	1.35 max.
Output VSWR:	1.35 max.
Isolation:	14dB typ.
Amplitude Balance:	±0.5dB
Phase Balance:	±25°
Impedance:	50Ω
Power @SUM Port:	2W as divider

[1] Excluding theoretical loss 14dB.

Mechanical

Connectors:	SMA Female N Female
Mounting:	6-Φ2.2mm through-hole

Environmental

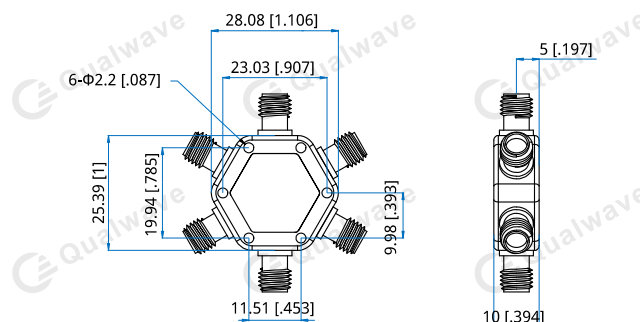
Operation Temperature: -35~+75°C

How To Order

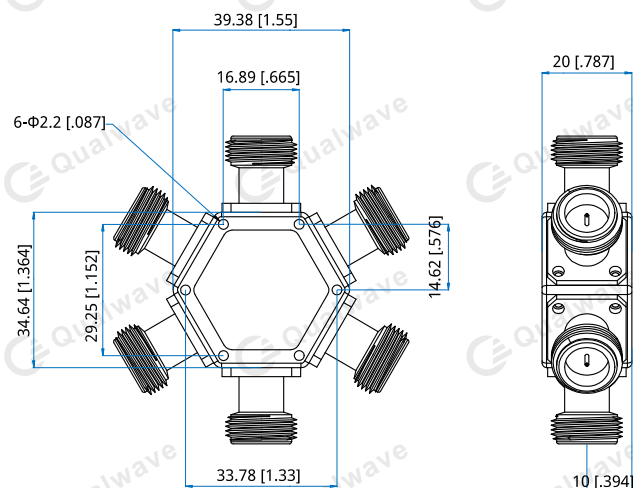
QPD5-0-8000-2-S - Outline A

QPD5-0-8000-2-N - Outline B

Customization is available upon request.

Outline Drawings


Outline A



Outline B

Unit: mm [in]

Tolerance: ±0.5mm [±0.02in]