

## QPD4-700-2000-30-N

### 4-Way, 0.7~2GHz

Features:  
 \* Small Size  
 \* Low Insertion Loss

Applications:  
 \* Amplifiers  
 \* Mixers  
 \* Antennas  
 \* Laboratory Test

#### Electrical

Frequency:	0.7~2GHz
Insertion Loss:	0.6dB max.
Input VSWR:	1.2 max.
Output VSWR:	1.2 max.
Isolation:	20dB min.
Amplitude Balance:	0.3dB max.
Phase Balance:	±3° max.
Impedance:	50Ω
Power @SUM Port:	30W max. as divider 2W max. as combiner

#### Mechanical

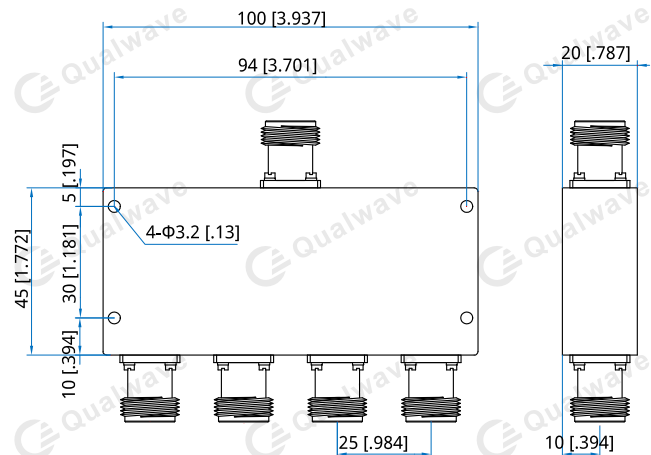
Size <sup>*1</sup> :	45*100*20mm 1.772*3.937*0.787in
Connectors:	N Female
Mounting:	4-Φ3.2mm through-hole

[1] Exclude connectors.

#### Environmental

Operation Temperature:	-35~+75°C
------------------------	-----------

#### Outline Drawings



Unit: mm [in]  
 Tolerance: ±0.5mm [±0.02in]

#### How To Order

**QPD4-700-2000-30-N**

Customization is available upon request.