

# QPD4-24000-40000-20-K

## 4-Way, 24~40GHz

Features:  
 \* Small Size  
 \* Low Insertion Loss

Applications:  
 \* Amplifiers  
 \* Mixers  
 \* Antennas  
 \* Laboratory Test

### Electrical

Frequency:	24~40GHz
Insertion Loss:	1.6dB max.
Input VSWR:	1.8 max.
Output VSWR:	1.6 max.
Isolation:	16dB min.
Amplitude Balance:	±0.4dB
Phase Balance:	±8°
Impedance:	50Ω
Power @SUM Port:	20W max. as divider 1W max. as combiner

### Mechanical

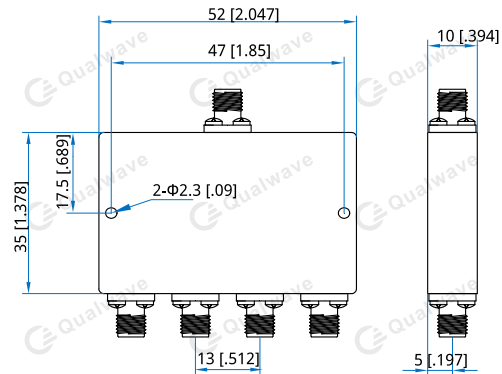
Size <sup>*1</sup> :	35*52*10mm 1.378*2.047*0.394in
Connectors:	2.92mm Female
Mounting:	2-Φ2.3mm through-hole

[1] Exclude connectors.

### Environmental

Operation Temperature:	-45~+85°C
------------------------	-----------

### Outline Drawings



Unit: mm [in]  
 Tolerance: ±0.5mm [±0.02in]

### How To Order

**QPD4-24000-40000-20-K**

Customization is available upon request.