

QPD4-240-270-K2-N

4-Way, 0.24~0.27GHz

Features:
 * Small Size
 * Low Insertion Loss

Applications:
 * Amplifiers
 * Mixers
 * Antennas
 * Laboratory Test

Electrical

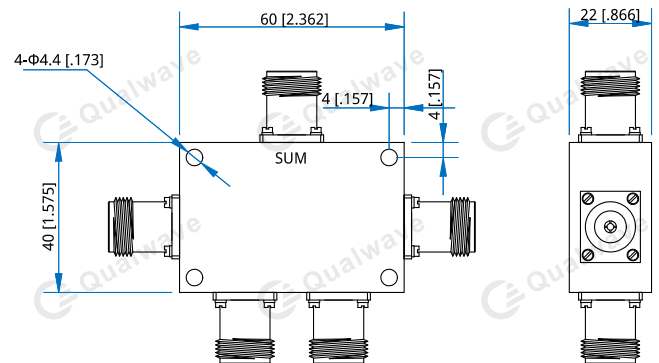
Frequency:	0.24~0.27GHz
Insertion Loss:	0.5dB max.
VSWR:	1.25 max.
Isolation:	20dB min.
Amplitude Balance:	±0.2dB max.
Phase Balance:	±5° max.
Impedance:	50Ω
Power @SUM Port:	200W as divider 200W as combiner

Mechanical

Size ^{*1} :	60*60*22mm 2.362*1.575*0.866in
Connectors:	N Female
Mounting:	4-Φ4.4mm through-hole

[1] Exclude connectors.

Outline Drawings



Unit: mm [in]
 Tolerance: ±0.5mm [±0.02in]

How To Order

QPD4-240-270-K2-N

Customization is available upon request.