

QPD4-2000-6000-K65-7N

4-Way, 2~6GHz

Features:
 * Small Size
 * Low Insertion Loss

Applications:
 * Amplifiers
 * Mixers
 * Antennas
 * Laboratory Test

Electrical

Frequency:	2~6GHz
Insertion Loss:	0.5dB max.
VSWR:	1.4 max.
Amplitude Balance:	±0.3dB max.
Phase Balance:	±4° max.
Impedance:	50Ω
Power @SUM Port:	650W as divider 650W as combiner

Mechanical

Size ^{*1} :	100*100*32mm 3.937*3.937*1.26in
Connectors:	7/16 DIN Female N Female
Mounting:	4-Φ3.2mm through-hole

[1] Exclude connectors.

Environmental

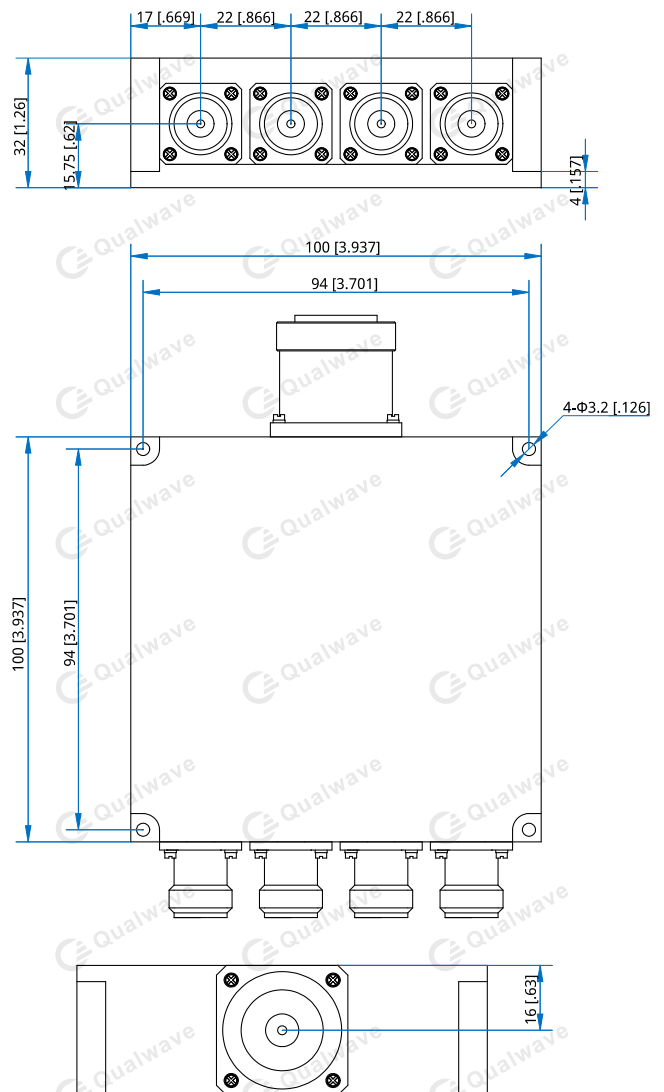
Operation Temperature: -55~+85°C

How To Order

QPD4-2000-6000-K65-7N

Customization is available upon request.

Outline Drawings



Unit: mm [in]

Tolerance: ±0.2mm [±0.008in]